

1250 / 1250-S STATIC ELIMINATORS

Powerful performance and market-leading reliability make the 1250 and 1250-S the first choice AC static eliminators for manufacturers.

The 1250 and 1250-S neutralise static electricity on sheet, web and similar processes throughout the plastics, packaging, converting and related industries.

PERFORMANCE

- 5.5 - 6 kV of ionising power.
- Unique stay-sharp emitters at 10 mm pitch for long-term high performance.

ESSENTIAL QUALITIES

- All live parts are epoxy encapsulated for protection, reliability and a long life.
- Shockproof operation.
- Robust construction.

CONNECTIVITY AND CONTROL

- Use with Fraser's range of 5.5 - 6 kV HP Power Units.

APPLICATIONS

- Position 20 - 150 mm from material. Best performance within 50 mm.
- Simple installation of 1250-S using the fixing studs which slide in slot in base of body.
- Suitable for most industrial processes, including many robot arm applications.
- Certified cleanroom compatible to ISO Class 5. Washable.



SPECIFICATION

Construction:

Anodised aluminium, epoxy resin, ABS and hardened emitters.

Cable:

Hi-Flex 30 kV screened cable with 70 mm bend diameter. Standard length is 2 m - longer lengths can be specified at time of order (subject to maximum load on power unit).

Safety:

5 mA maximum current from Power Unit. High voltage resistance inside bars further limits current below 50 µA.

Power Unit:

Use with Fraser 5.5 kV and 6 kV Power Units. See Datasheets.

Environmental:

60 °C maximum temperature. 70 % rH non-condensing max. IP66. Fully sealed.

Certification:

CE. UL (US and C) Listing is a free of charge option.

Options:

1250: with fixed mounting studs.
 1250-S: with adjustable mounting studs.
 90° cable exit option.
 Bars joined in series.
 Air Knife mounted - see 5000/5100 and 5500.
 Airboost - see 1250 Air Bar.
 Detachable cable - see 1255.

Variants:

UL Listed version - 1250-S UL.
 EX-ATEX version - see EX-1250.
 Please see page 2 for details of all variants.

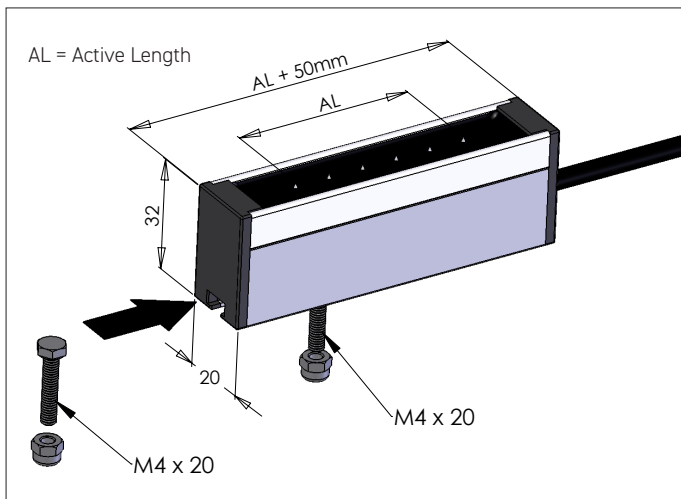
HOW IT WORKS

The 1250 works by applying high voltage to an emitter in a controlled and safe way. The electric field around the emitters ionises the air - breaking it up into positive and negative ions. These ions neutralise static electricity by being attracted to charges of the opposite polarity. Unused ions quickly dissipate into the atmosphere.



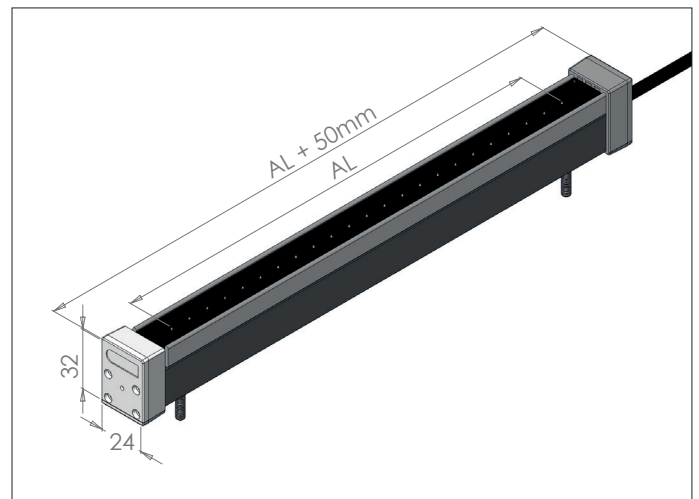
DIMENSIONS AND CONSTRUCTION

Available lengths: Any length from 60 mm to 6000 mm. Active ionisation length is 50 mm less than overall length.



1250-S

The 1250-S has M4 x 20 mm hexagon head mounting studs which slide in a groove on the underside of the bar. This gives fast and simple installation.



1250

The 1250 has fixed M4 x 20 mm studs positioned 20 mm from each end, and in the middle for longer bars.

VARIANTS

UL Listed: please specify 1250-S UL.

EX-ATEX: for hazardous areas, see EX-1250 datasheet.

Airboost: for extending range beyond 500 mm, see 1250 Air Bar datasheet.

Balanced: for high-tech applications where an accurate electrical ion balance is required.

Combination: a passive static discharger may be combined with a 1250 bar for speeds over 1000 m/min.

Series: bars supplied in series - joined by cable.

Detachable Cable: see 1255 datasheet.

For cleaning and static neutralisation applications, see 5000/5100 Ionised Air Knives and 5500 Ionised Air Knife System datasheets.